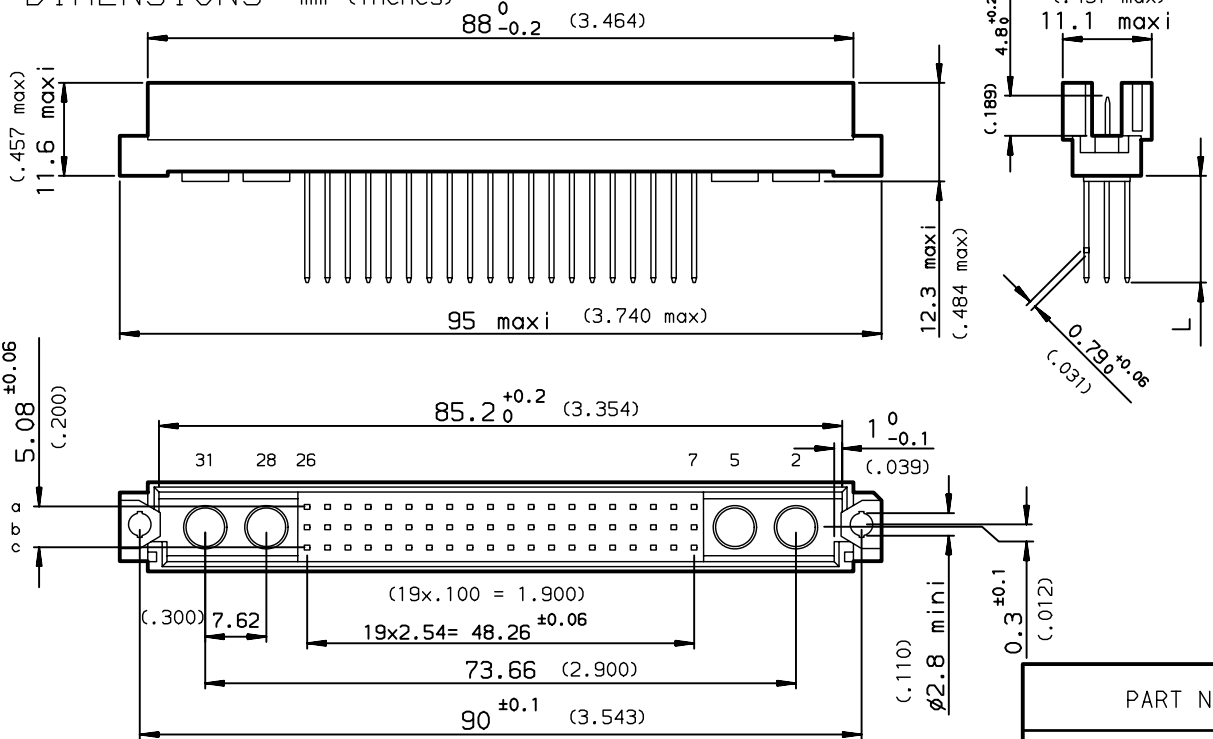


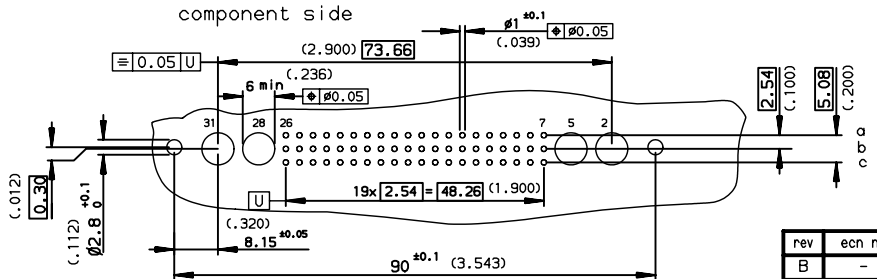
DIMENSIONS mm (inches)



GENERAL CHARACTERISTICS AND ROHS INFORMATIONS:
SEE DRAWING C-8609-0000B

PART NUMBER	8609	<input type="checkbox"/>	<input type="checkbox"/>	C8	<input type="checkbox"/>	7	<input type="checkbox"/>	5	<input type="checkbox"/>
PIN OUT									
rows a-b-c				3					60
rows a-c				4					40
NUMBER OF CONTACTS									
TERMINATION									
L = 13.3 ±0.25 (.523)				WW					15
L = 17.95 ±0.25 (.706)				WW					25
PERFORMANCE CLASS									
DIN 41612 class 3									4
DIN 41612 class 2									5
DIN 41612 class 1									6
TERMINATION TYPE									
TIN LEAD									000E1
LEAD FREE									E1LF

PCB DRILLING



rev	ecn no	dr	date
B	-	JTA	1996/02/22
C	LS05-008	JTA	2005/03/17
D	LS06-0095	LGO	2006/06/16
-	-	-	-
-	-	-	-
-	-	-	-

www.fciconnect.com		surface ISO 1302	tolerance std ISO 406 ISO 1101	projection mm
		TOLERANCES UNLESS OTHERWISE SPECIFIED		
Dr	ROUILLARD	1992/09/21	0.X ±0.1	size A3
Eng	TARON	1992/09/21	0.XX ±0.1	Scale 1.5
Chr	LEGARE	1992/09/21	0.XX' ±2'	ECN LS06-0095
Appr	LEGARE	1992/09/21	0.XXX ±0.1	Spec ref -
		Product family	DIN 8609	
FCJ		STRAIGHT MALE WITH SPECIAL CONTACTS		Rev. D
		WIRE WRAP		dwg no C-8609-0320
		catalog no -		CUSTOMER sheet 1 of 1

European Views

Copyright FCJ